



SNUGGLER 400

SPECIFICATIONS

Seat Width: 19" and 21" • Back Height: 44"
Full Recline: Available in 58" and 65"
Mechanism: Snuggler Zero Proximity 1 Motor

Effortless. Enticing: The 5-Star Snuggler reaches the apex of comfort and ease with a superbly smooth extended recline that delivers a cinematic experience that has patrons floating on "cloud nine," helping you generate sky-high cinema-goer satisfaction as well as rising bottom line results for your cinema operation.



★★★★★ FEATURES

- ★ Universal 9 gauge metal chassis platform
 - Advanced engineering for easier and more efficient installation
 - Zero maintenance mechanism with full linkage eliminating wheel clogs or breakage
- ★ Limoss actuators and motors on all products
- ★ Morley Spring System
 - Providing better ride and extends the life of the cushion
- ★ All seat cushions and arm padding are made of commercial grade, high resilient foam
- ★ USB port on all seats
 - Power source does not draw power until activated

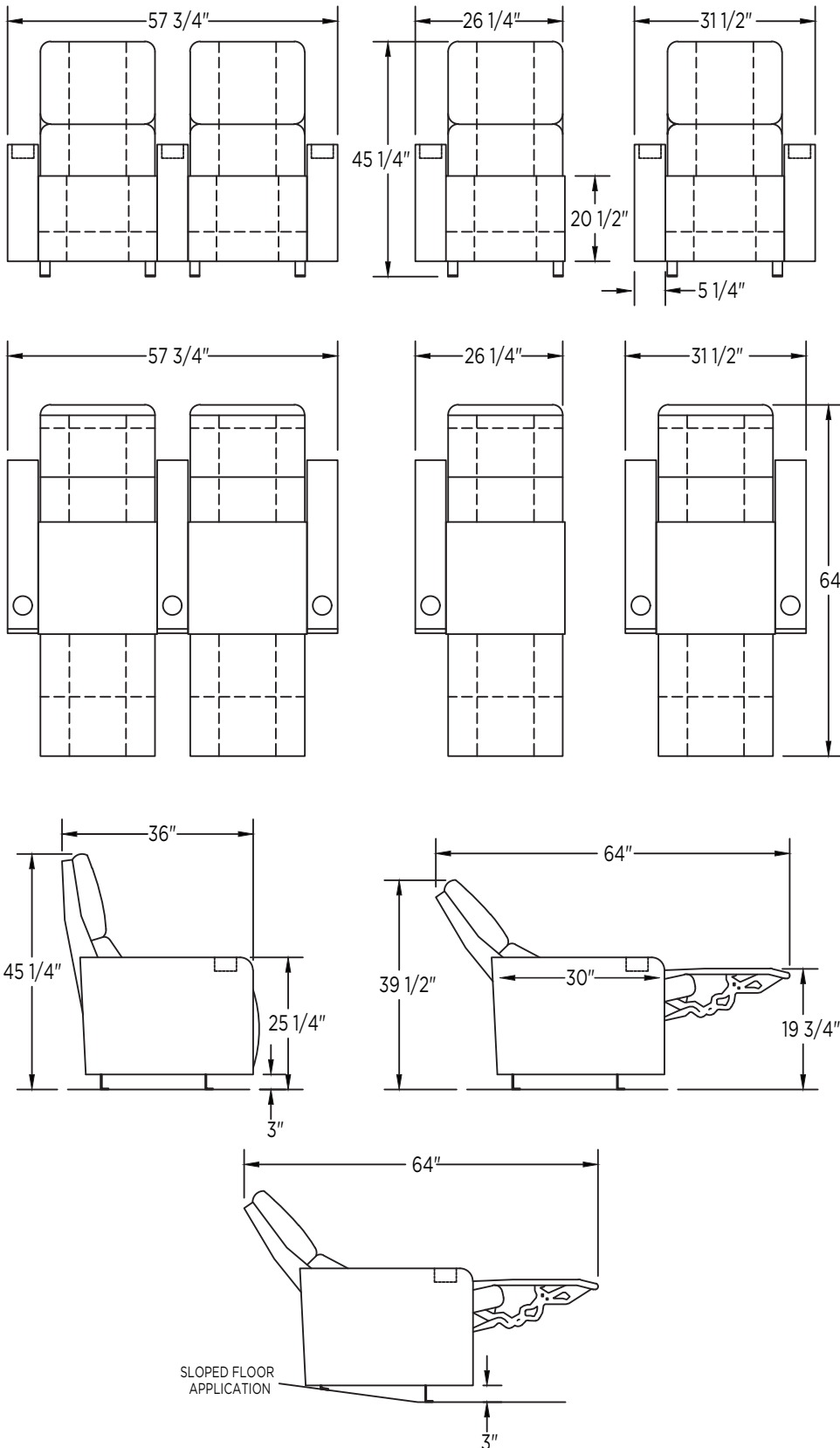


EVERY 5 STAR SEAT IS COMPLETELY CUSTOMIZABLE TO YOUR SPECIFIC NEEDS.

www.5starcinemas seating.com

SNUGGLER 400

SPECIFICATIONS



STANDARD ALL SEATING

- Comprehensive Spectrum of Colors and Vinyl Selections
- Full Metal Modular Chassis
- Full Metal Seat Box
- Overcurrent Protection
- Premium 2.5lb Density HR Foam
- Replaceable Seat Pad
- Standard Flip Up Seating
- All Seats 3" Off the Floor
- USB Port

UPGRADES

- Articulating Arm
- Show Wood
- Illuminated Seat and Aisle Numbers
- Max Plus Activators with USB
- Heated Seating
- Mass Open/Close Operation
- Tables
- Adjustable Power Lumbar Support
- Access Lighting



**Universal tolerance is +/- 1/8" for a single seat and +/- 1/4" for a loveseat.