



# SNUGGLER 203

## SPECIFICATIONS

Seat Width: 19" and 21" • Back Height: 44"  
Full Recline: Available in 58" and 64"  
Mechanism: Snuggler Zero Proximity 1 Motor

*Effortless. Enticing: The 5-Star Snuggler reaches the apex of comfort and ease with a superbly smooth extended recline that delivers a cinematic experience that has patrons floating on "cloud nine," helping you generate sky-high cinema-goer satisfaction as well as rising bottom line results for your cinema operation.*



## ★★★★★ FEATURES

- ★ Universal 9 gauge metal chassis platform
  - Advanced engineering for easier and more efficient installation
  - Zero maintenance mechanism with full linkage eliminating wheel clogs or breakage
- ★ Limoss actuators and motors on all products
- ★ Morley Spring System
  - Providing better ride and extends the life of the cushion
- ★ All seat cushions and arm padding are made of commercial grade, high resilient foam
- ★ USB port on all seats
  - Power source does not draw power until activated

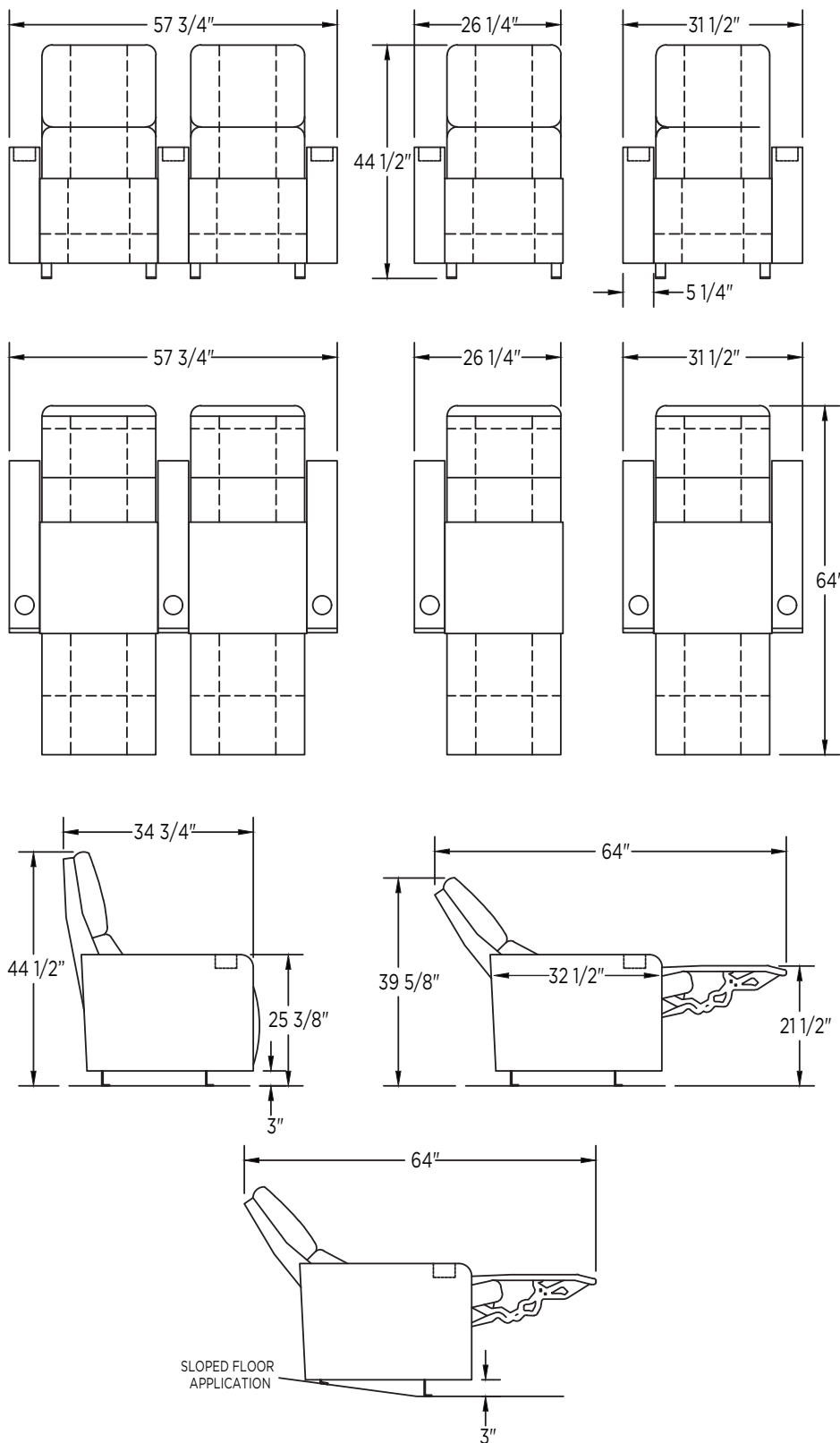


EVERY 5 STAR SEAT IS COMPLETELY CUSTOMIZABLE TO YOUR SPECIFIC NEEDS.

[www.5starcinemaseating.com](http://www.5starcinemaseating.com)

# SNUGGLER 203

## SPECIFICATIONS



### STANDARD ALL SEATING

Comprehensive Spectrum of Colors and Vinyl Selections

Full Metal Modular Chassis

Full Metal Seat Box

Overcurrent Protection

Premium 2.5lb Density HR Foam

Replaceable Seat Pad

Standard Flip Up Seating

All Seats 3" Off the Floor

USB Port

### UPGRADES

Articulating Arm

Show Wood

Illuminated

Seat and Aisle Numbers

Max Plus Activators with USB

Heated Seating

Mass Open/Close Operation

Tables

Adjustable Power Lumbar Support

Access Lighting



\*\*Universal tolerance is +/- 1/8" for a single seat and +/- 1/4" for a loveseat.