



CUDDLER 100

SPECIFICATIONS

Seat Width: 21" and 19" • Back Height: 45"
Full Recline: Available in 53" and 55"
Mechanism: Cuddler Zero Proximity 1 Motor

Once they have settled into the 5-Star Cuddler, they'll never settle for less: Sleek yet roomy, this extraordinary recliner envelops patrons in an experience of unparalleled enjoyment, thanks to innovative design, expert construction and the patented Cuddler reclining mechanism, standard on each seat, providing the whisper soft dip that delights.



FEATURES

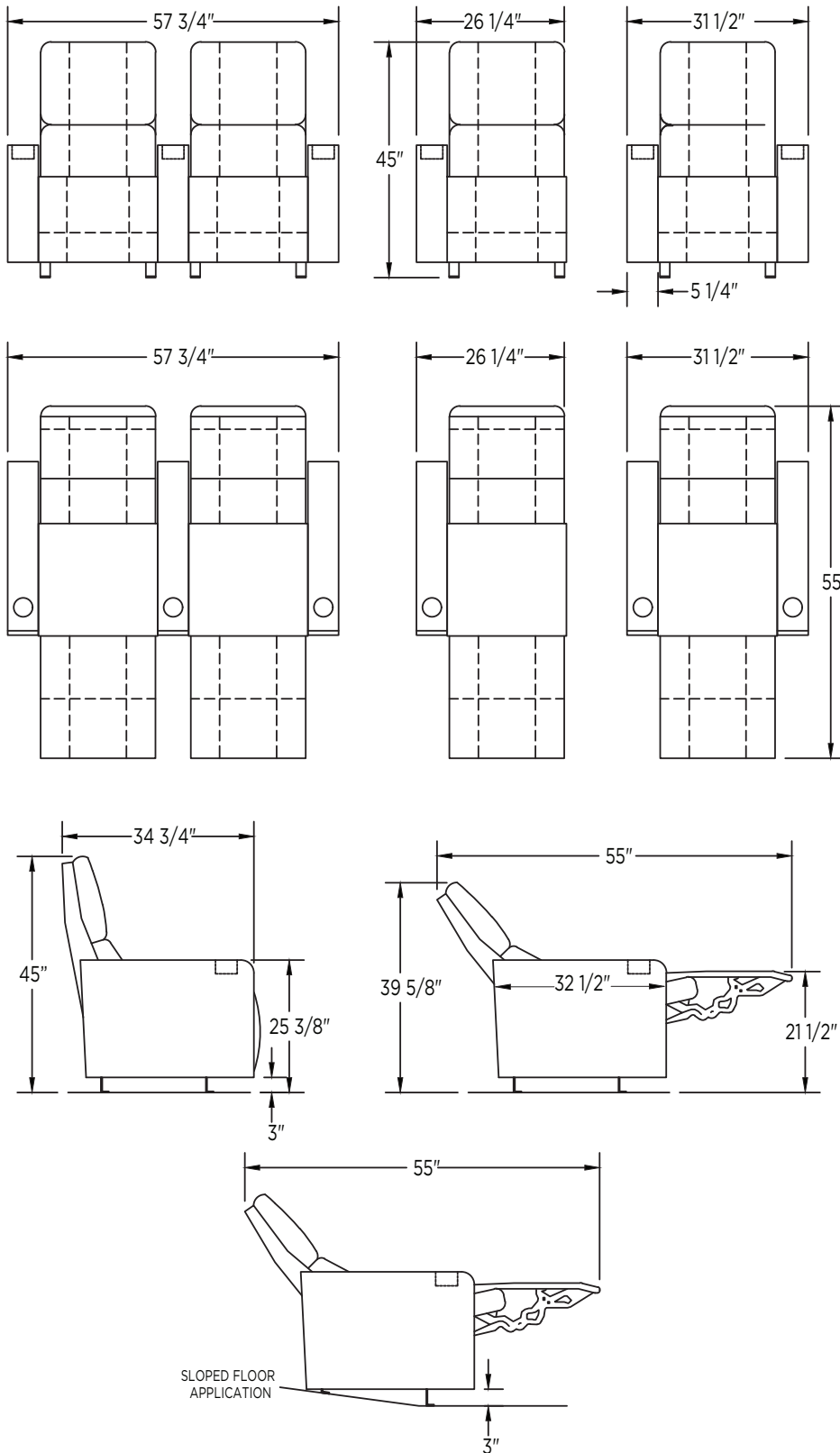
- ★ Universal 9 gauge metal chassis platform
 - Advanced engineering for easier and more efficient installation
 - Zero maintenance mechanism with full linkage eliminating wheel clogs or breakage
- ★ Limoss actuators and motors on all products
- ★ Morley Spring System
 - Providing better ride and extends the life of the cushion
- ★ All seat cushions and arm padding are made of commercial grade, high resilient foam
- ★ USB port on all seats
 - Power source does not draw power until activated



EVERY 5 STAR SEAT IS COMPLETELY CUSTOMIZABLE TO YOUR SPECIFIC NEEDS.
www.5starcinemas seating.com

CUDDLER 100

SPECIFICATIONS



STANDARD ALL SEATING

- Comprehensive Spectrum of Colors and Vinyl Selections
- Full Metal Modular Chassis
- Full Metal Seat Box
- Overcurrent Protection
- Premium 2.5lb Density HR Foam
- Replaceable Seat Pad
- Standard Flip Up Seating
- All Seats 3" Off the Floor
- USB Port

UPGRADES

- Articulating Arm
- Show Wood
- Illuminated Seat and Aisle Numbers
- Max Plus Activators with USB
- Heated Seating
- Mass Open/Close Operation for Ottoman and/or Seats
- Tables
- Adjustable Power Lumbar Support
- Access Lighting

**Universal tolerance is +/- 1/8" for a single seat and +/- 1/4" for a loveseat.

